

Wall-Mount Enclosures Type 4 Premier™ Series with Quarter-Turn Latches Data Sheet and Catalog Number



Application

- Houses electrical controls and instruments
- Intended for indoor or outdoor use
- Protects against circulating and windblown dust, falling dirt, dripping non-corrosive liquids, rain, splashing water and hose directed water

Standards

- UL 508 Listed, Type 4 and Type 12
- cUL Listed, Type 4 and Type 12
- Conforms to NEMA standard for Type 4 and Type 12

Finish

- Wash and phosphate undercoat
- ANSI 61 gray polyester powder finish
- Available with RAL7035 Light Gray textured paint. To order add an "LG" to the end of the part number. Examples: 12126-SDLG 12126-SDWLG

Discount Schedule: C2

Subclass: TCO

Accessories

- Premier panels
- NEMA panel adapters
- Depth adjustment brackets
- Print pockets
- Padlockable or keyed handles
- See Accessories section, pages 154-159
- Security latch inserts
- Mounting foot kits
- EIA/TIA rack mounting angles
- Swing-out panels

Construction

- Enclosure and door are fabricated from code gauge steel (see tables, pages 147 & 148)
- All continuous welded seams are finished smooth
- Hardware kit provided contains grounding hardware, .312-18 flanged hex nuts for panel mounting, and sealing washers for body mounting holes

Body Construction

- Body flange trough design is formed around body opening to divert liquid contaminants away from door opening
- Reduced width flange design increases enclosure opening
- Ground stud provided in enclosure body
- .312-18 collar studs are provided for mounting optional Premier panels
- Enclosure mounting holes in body provided for direct mounting or optional mounting feet
- Utility bracket provides wire management and accessory mounting options

Door Construction

- Doors are secured to the body with a unique spring-loaded hidden hinge design on one side and slotted quarter-turn flush latch(es) on the opposite side
- Doors are easily removed and interchangeable
- Door has a seamless poured in-place gasket
- Door opens 170° for easy access
- Utility rail provides grounding, rigidity and wire management
- Window-door enclosures feature flush-mounted clear polycarbonate window

Enclosure Catalog Number		Enclosure Size A x B x C		Door/Body Gauge	Panel Catalog Number	Panel Size H x W		Mounting D x E		Window Size F x G		Latch Qty.	J	
Solid Door	Window Door	in.	mm			in.	mm	in.	mm	in.	mm		in.	mm
1084-SD	-	10x8x4	254x203x102	16/16	108P	8.00x6.00	203x152	8.50x6.37	216x162	-	-	1	5.00	127
1086-SD	-	10x8x6	254x203x152	16/16	108P	8.00x6.00	203x152	8.50x6.37	216x162	-	-	1	5.00	127
12106-SD	-	12x10x6	305x254x152	16/16	1210P	10.00x8.00	254x203	10.50x8.37	267x213	-	-	1	6.00	152
12126-SD	12126-SDW	12x12x6	305x305x152	16/16	1212P	10.00x10.00	254x254	10.50x10.37	267x264	8.25x7.00	210x178	1	6.00	152
16126-SD	16126-SDW	16x12x6	406x305x152	16/16	1612P	14.00x10.00	356x254	14.50x10.37	368x264	12.25x7.00	311x178	1	8.00	203
16166-SD	-	16x16x6	406x406x152	16/16	1616P	14.00x14.00	356x356	14.50x14.37	368x365	-	-	1	8.00	203
16206-SD	-	16x20x6	406x508x152	16/16	2016P	14.00x18.00	356x457	14.50x18.37	368x467	-	-	1	8.00	203
20166-SD	20166-SDW	20x16x6	508x406x152	16/16	2016P	18.00x14.00	457x356	18.50x14.37	470x365	16.25x11.00	413x279	1	10.00	254
20206-SD	20206-SDW	20x20x6	508x508x152	16/16	2020P	18.00x18.00	457x457	18.50x18.37	470x467	16.25x15.00	413x381	1	10.00	254
24166-SD	-	24x16x6	610x406x152	16/16	2416P	22.00x14.00	559x356	22.50x14.37	572x365	-	-	1	5.00	127
24206-SD	24206-SDW	24x20x6	610x508x152	16/16	2420P	22.00x18.00	559x457	22.50x18.37	572x467	20.25x15.00	514x381	1	5.00	127
24246-SD	24246-SDW	24x24x6	610x610x152	14/16	2424P	22.00x22.00	559x559	22.50x22.37	572x568	20.25x17.62	514x448	2	5.00	127

Notes: Cooper B-Line can provide special sizes, finishes and other modifications. Consult the factory for your special requirements.

Type 4 Panel Enclosures

Wall-Mount Enclosures Type 4 Premier™ Series with Quarter-Turn Latches Catalog Number

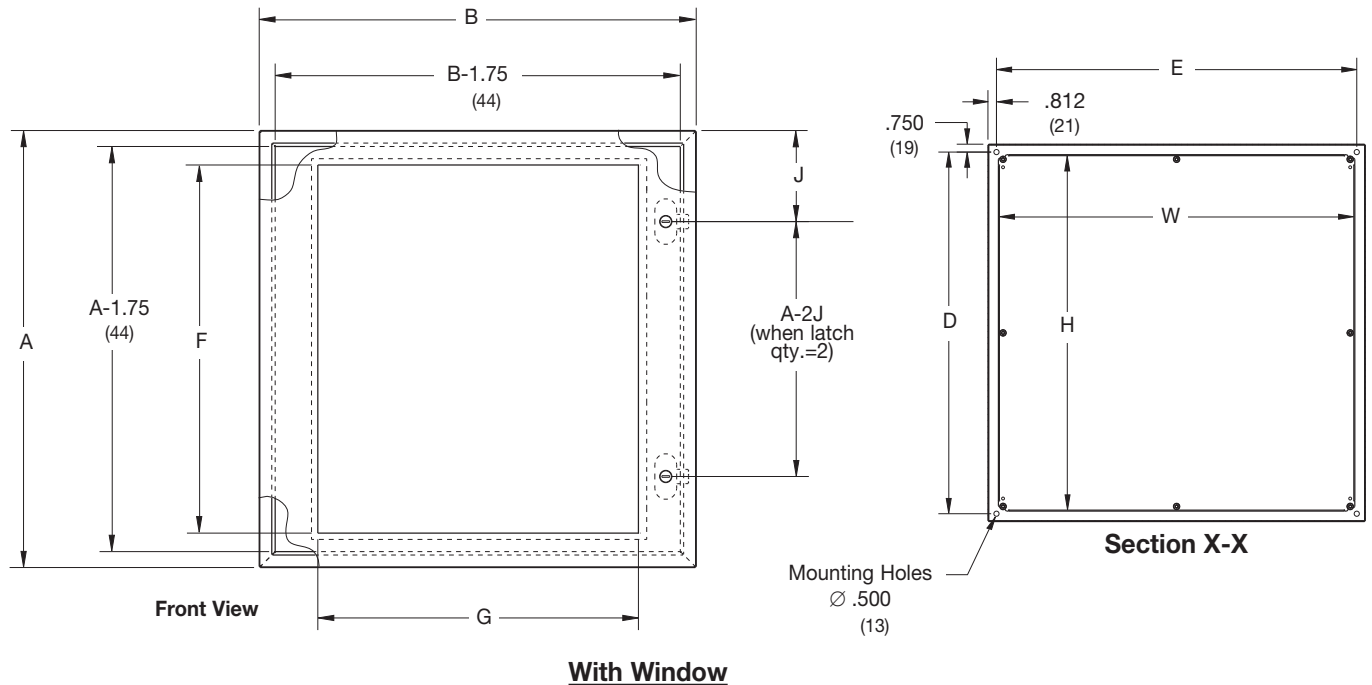
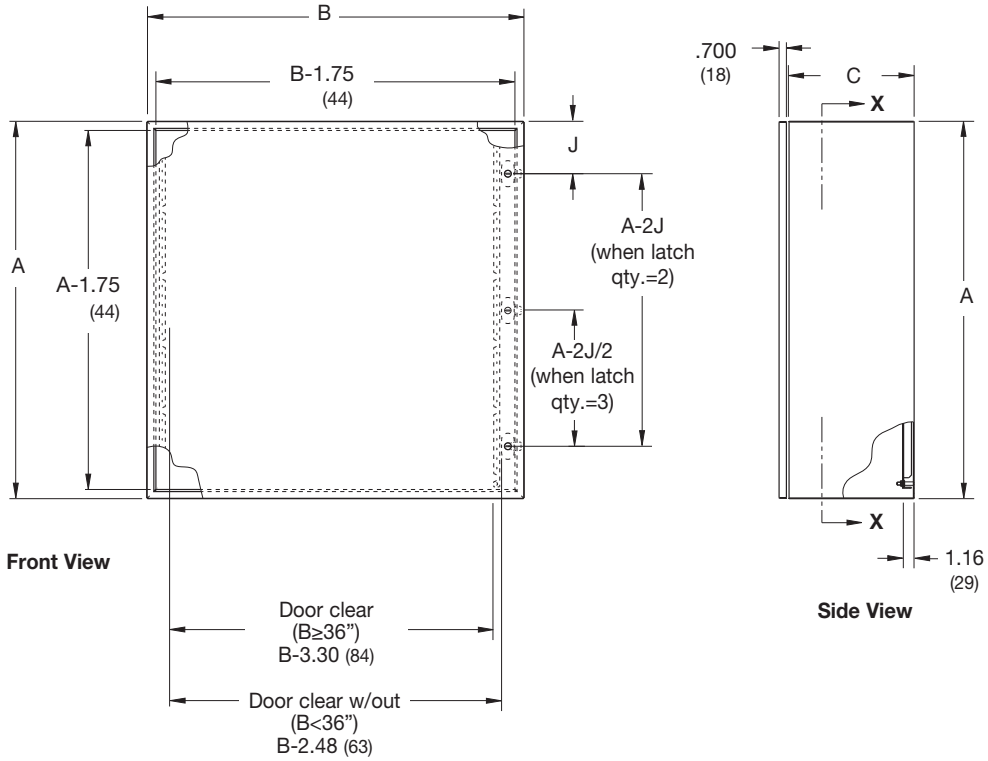
Enclosure Catalog Number		Enclosure Size A x B x C		Door/Body Gauge	Panel Catalog Number	Panel Size H x W		Mounting D x E		Window Size F x G		Latch Qty.	J	
Solid Door	Window Door	in.	mm			in.	mm	in.	mm	in.	mm		in.	mm
16128-SD	16128-SDW	16x12x8	406x305x203	16/16	1612P	14.00x10.00	356x254	14.50x10.37	368x264	12.25x7.00	311x178	1	8.00	203
16168-SD	-	16x16x8	406x406x203	16/16	1616P	14.00x14.00	356x356	14.50x14.37	368x365	-	-	1	8.00	203
16208-SD	-	16x20x8	406x508x203	16/16	2016P	14.00x18.00	356x457	14.50x18.37	368x467	-	-	1	8.00	203
20168-SD	20168-SDW	20x16x8	508x406x203	16/16	2016P	18.00x14.00	457x356	18.50x14.37	470x365	16.25x11.00	413x279	1	10.00	254
20208-SD	20208-SDW	20x20x8	508x508x203	16/16	2020P	18.00x18.00	457x457	18.50x18.37	470x467	16.25x15.00	413x381	1	10.00	254
20248-SD	-	20x24x8	508x610x203	16/16	2420P	18.00x22.00	457x559	18.50x22.37	470x568	-	-	1	10.00	254
24168-SD	-	24x16x8	610x406x203	16/16	2416P	22.00x14.00	559x356	22.50x14.37	572x365	-	-	1	5.00	127
24208-SD	24208-SDW	24x20x8	610x508x203	16/16	2420P	22.00x18.00	559x457	22.50x18.37	572x467	20.25x15.00	514x381	1	5.00	127
24248-SD	24248-SDW	24x24x8	610x610x203	14/16	2424P	22.00x22.00	559x559	22.50x22.37	572x568	20.25x17.62	514x448	2	5.00	127
24308-SD	-	24x30x8	610x762x203	14/16	3024P	22.00x28.00	559x711	22.50x28.37	572x721	-	-	2	5.00	127
30208-SD	-	30x20x8	762x508x203	14/16	3020P	28.00x18.00	711x457	28.50x18.37	724x467	-	-	2	5.00	127
30248-SD	30248-SDW	30x24x8	762x610x203	14/16	3024P	28.00x22.00	711x559	28.50x22.37	724x568	26.25x17.62	667x448	2	5.00	127
30308-SD	-	30x30x8	762x762x203	14/14	3030P	28.00x28.00	711x711	28.50x28.37	724x721	-	-	2	5.00	127
36248-SD	-	36x24x8	914x610x203	14/14	3624P	34.00x22.00	864x559	34.50x22.37	876x568	-	-	2	5.00	127
36308-SD	-	36x30x8	914x762x203	14/14	3630P	34.00x28.00	864x711	34.50x28.37	876x721	-	-	2	5.00	127
36368-SD	-	36x36x8	914x914x203	14/14	3636P	34.00x34.00	864x864	34.50x34.37	876x873	-	-	2	5.00	127
161210-SD	161210-SDW	16x12x10	406x305x254	16/16	1612P	14.00x10.00	356x254	14.50x10.37	368x264	12.25x7.00	311x178	1	8.00	203
161610-SD	-	16x16x10	406x406x254	16/16	1616P	14.00x14.00	356x356	14.50x14.37	368x365	-	-	1	8.00	203
162010-SD	-	16x20x10	406x508x254	16/16	2016P	14.00x18.00	356x457	14.50x18.37	368x467	-	-	1	8.00	203
201610-SD	201610-SDW	20x16x10	508x406x254	16/16	2016P	18.00x14.00	457x356	18.50x14.37	470x365	16.25x11.00	413x279	1	10.00	254
202010-SD	202010-SDW	20x20x10	508x508x254	16/16	2020P	18.00x18.00	457x457	18.50x18.37	470x467	16.25x15.00	413x381	1	10.00	254
202410-SD	-	20x24x10	508x610x254	16/16	2420P	18.00x22.00	457x559	18.50x22.37	470x568	-	-	1	10.00	254
241610-SD	-	24x16x10	610x406x254	16/16	2416P	22.00x14.00	559x356	22.50x14.37	572x365	-	-	1	5.00	127
242010-SD	242010-SDW	24x20x10	610x508x254	16/16	2420P	22.00x18.00	559x457	22.50x18.37	572x467	20.25x15.00	514x381	1	5.00	127
242410-SD	242410-SDW	24x24x10	610x610x254	14/16	2424P	22.00x22.00	559x559	22.50x22.37	572x568	20.25x17.62	514x448	2	5.00	127
243010-SD	-	24x30x10	610x762x254	14/16	3024P	22.00x28.00	559x711	22.50x28.37	572x721	-	-	2	5.00	127
302010-SD	-	30x20x10	762x508x254	14/16	3020P	28.00x18.00	711x457	28.50x18.37	724x467	-	-	2	5.00	127
302410-SD	302410-SDW	30x24x10	762x610x254	14/16	3024P	28.00x22.00	711x559	28.50x22.37	724x568	26.25x17.62	667x448	2	5.00	127
303010-SD	-	30x30x10	762x762x254	14/14	3030P	28.00x28.00	711x711	28.50x28.37	724x721	-	-	2	5.00	127
362410-SD	-	36x24x10	914x610x254	14/14	3624P	34.00x22.00	864x559	34.50x22.37	876x568	-	-	2	5.00	127
363010-SD	-	36x30x10	914x762x254	14/14	3630P	34.00x28.00	864x711	34.50x28.37	876x721	-	-	2	5.00	127
363610-SD	-	36x36x10	914x914x254	14/14	3636P	34.00x34.00	864x864	34.50x34.37	876x873	-	-	2	5.00	127
423610-SD	-	42x36x10	1067x914x254	14/14	4236P	40.00x34.00	1016x864	40.50x34.37	1029x873	-	-	3	5.00	127
482410-SD	-	48x24x10	1219x610x254	14/14	4824P	46.00x22.00	1168x559	46.50x22.37	1181x568	-	-	3	5.00	127
483610-SD	-	48x36x10	1219x914x254	14/14	4836P	46.00x34.00	1168x864	46.50x34.37	1181x873	-	-	3	5.00	127
603610-SD	-	60x36x10	1524x914x254	14/14	6036P	58.00x34.00	1473x864	58.50x34.37	1486x873	-	-	3	5.00	127
202012-SD	202012-SDW	20x20x12	508x508x305	16/16	2020P	18.00x18.00	457x457	18.50x18.37	470x467	16.25x15.00	413x381	1	10.00	254
242012-SD	242012-SDW	24x20x12	610x508x305	16/16	2420P	22.00x18.00	559x457	22.50x18.37	572x467	20.25x15.00	514x381	1	5.00	127
242412-SD	242412-SDW	24x24x12	610x610x305	14/16	2424P	22.00x22.00	559x559	22.50x22.37	572x568	20.25x17.62	514x448	2	5.00	127
302412-SD	302412-SDW	30x24x12	762x610x305	14/16	3024P	28.00x22.00	711x559	28.50x22.37	724x568	26.25x17.62	667x448	2	5.00	127
303012-SD	-	30x30x12	762x762x305	14/14	3030P	28.00x28.00	711x711	28.50x28.37	724x721	-	-	2	5.00	127
362412-SD	-	36x24x12	914x610x305	14/14	3624P	34.00x22.00	864x559	34.50x22.37	876x568	-	-	2	5.00	127
363012-SD	-	36x30x12	914x762x305	14/14	3630P	34.00x28.00	864x711	34.50x28.37	876x721	-	-	2	5.00	127
363612-SD	-	36x36x12	914x914x305	14/14	3636P	34.00x34.00	864x864	34.50x34.37	876x873	-	-	2	5.00	127
423612-SD	-	42x36x12	1067x914x305	14/14	4236P	40.00x34.00	1016x864	40.50x34.37	1029x873	-	-	3	5.00	127
482412-SD	-	48x24x12	1219x610x305	14/14	4824P	46.00x22.00	1168x559	46.50x22.37	1181x568	-	-	3	5.00	127
483612-SD	-	48x36x12	1219x914x305	14/14	4836P	46.00x34.00	1168x864	46.50x34.37	1181x873	-	-	3	5.00	127
603612-SD	-	60x36x12	1524x914x305	14/14	6036P	58.00x34.00	1473x864	58.50x34.37	1486x873	-	-	3	5.00	127
242416-SD	242416-SDW	24x24x16	610x610x406	14/14	2424P	22.00x22.00	559x559	22.50x22.37	572x568	20.25x17.62	514x448	2	5.00	127
363016-SD	-	36x30x16	914x762x406	14/14	3630P	34.00x28.00	864x711	34.50x28.37	876x721	-	-	2	5.00	127
483616-SD	-	48x36x16	1219x914x406	14/14	4836P	46.00x34.00	1168x864	46.50x34.37	1181x873	-	-	3	5.00	127
242420-SD	242420-SDW	24x24x20	610x610x508	14/14	2424P	22.00x22.00	559x559	22.50x22.37	572x568	20.25x17.62	514x448	2	5.00	127
302420-SD	302420-SDW	30x24x20	762x610x508	14/14	3024P	28.00x22.00	711x559	28.50x22.37	724x568	26.25x17.62	667x448	2	5.00	127
363020-SD	-	36x30x20	914x762x508	14/14	3630P	34.00x28.00	864x711	34.50x28.37	876x721	-	-	2	5.00	127

Notes: Dimensions are in inches. Millimeters shown are for reference only. Data subject to change without notice.

Wall-Mount Enclosures

Type 4 Premier™ Series with Quarter-Turn Latches

Illustration Sheet



Notes: Dimensions are in inches. Millimeters shown are for reference only. Data subject to change without notice.